

# Caps for VDA QCs (DV)

The new DV product range consists of caps covering the VDA standards from NW6 up to NW32 used as a male solution for Quick Connectors. It has optimized round cap design, including expanded flange for an easy plug in/pull out, even with working gloves. Each size is offered both with and without a handle. 4 flat ribs inside the cap ensure excellent protection against damage and contaminations and allow proper ventilation at the same time.

## Applications:

Suitable for protection of the VDA standards from NW6 up to NW32 used as a male solution for Quick Connectors in the Automotive segment.

## Main features:



Ideal solution for male VDA Quick Connectors



Fits the VDA standards from NW6 up to NW32



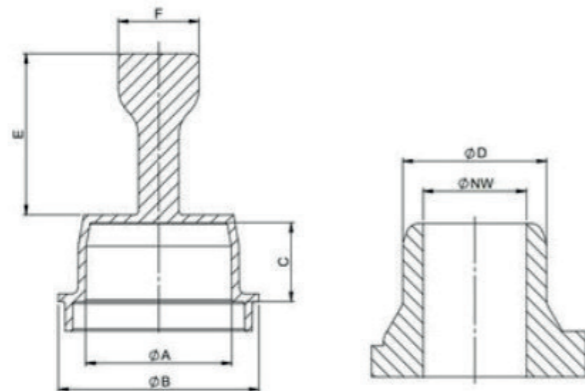
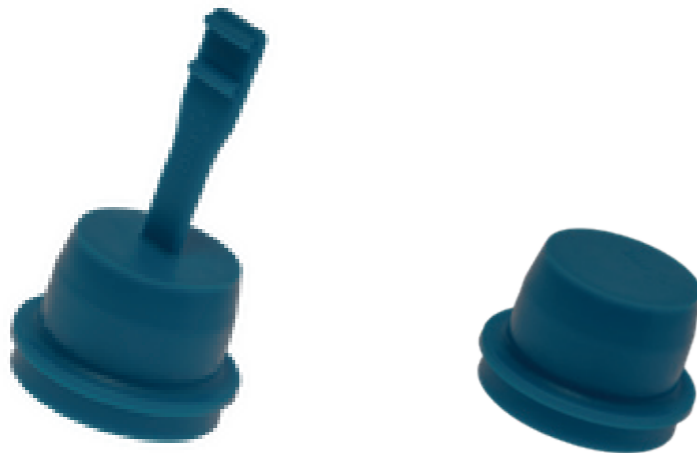
4 ribs ensure excellent protection against damage, dust & vibration



Made of LDPE also available in BIO LDPE



Options with & without a handle



## Properties

**Standard colour:** Blue- Other colors may be available upon request  
**Standard material:** LDPE

DBI Ref.	A mm	B mm	C mm	D mm	E mm	F mm	QTY Bag/Box
DV0060A-AA	10,3	18,6	9,8	10,4			500/9000
DV0060B-AA	10,3	18,6	9,8	10,4	25	7	500/6500
DV0080A-AA	12,2	20,6	10,8	12,4			500/8000
DV0080B-AA	12,2	20,6	10,8	12,4	25	7	500/6000
DV0120A-AA	15,9	23,6	11,3	16,3			500/7000
DV0120B-AA	15,9	23,6	11,3	16,3	25	7	500/5000
DV0140A-AA	17,2	23,5	10,7	17,5			500/6000
DV0140B-AA	17,2	23,5	10,7	17,5	25	7	500/4000
DV0140C-AA	18,9	27,4	11,8	19,1			500/5000
DV0140F-AA	18,9	27,4	11,8	19,1	25	7	500/3000
DV0160A-AA	22	31	12,3	22,3			500/5000
DV0160B-AA	22	31	12,3	22,3	25	12,5	500/2500
DV0160C-AA	20,3	27	12,5	20,5			500/6000
DV0160F-AA	20,3	27	12,5	20,5	25	12,5	500/2000
DV0200A-AA	25,8	35,7	12,3	26,3			500/4000
DV0200B-AA	25,8	35,7	12,3	26,3	25	12,5	500/1500
DV0260A-AA	31,8	41,9	13,3	32,5			500/3000
DV0260B-AA	31,8	41,9	13,3	32,5	25	12,5	400/1200
DV0320A-AA	37,9	47,9	13,3	38,5			500/2000
DV0320B-AA	37,9	47,9	13,3	38,5	25	12,5	200/1000