

Caps with a Handle (GF)

The GF product range consists of caps with ergonomically designed removal tab for easy handling. The cap can be used in different counter parts, as a protection of fluid and fuel lines in automotive segment.

Applications:

GF range is recommended for protection of fluid and fuel lines in the automotive segment.

Main features:



Ideal solution for fluid & fuel lines



Suitable for Automotive segment



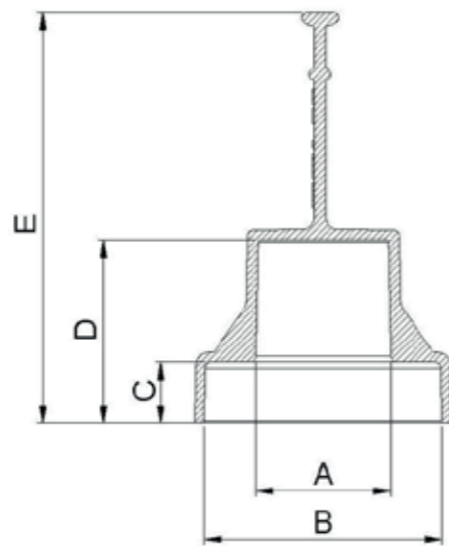
Ergonomic handle



Made of LDPE, HDPE & EVA



Easy mounting & dismounting



Properties

Standard colour: Natural- Other colors may be available upon request

Standard material: LDPE

DBI Ref.	A mm	B mm	C mm	D mm	E mm	Color	QTY Bag/Box
GF0085A -AA	8,5	19,1	5,2	15,5	34,5	Natural	8000 / 8000
GF0116A -AA	11,7	20,6	5,1	15,4	34,5	Natural	6000 / 6000
GF0173A -AA	17,5	27,4	5,1	15,2	34,3	Natural	4000 / 4000
GF0380A -AA	9,4	64,5	13,3	19,5	39,1	Natural	250 / 1250