

# Gas Threaded Plugs (TB/TBB)

Threaded plugs that effectively protect internal threads in hydraulic components are particularly appreciated for their tightness and quality. These products are available in various materials and with different sealing solutions, depending on the high-temperature requirements. Hexagonal shape to secure easy mounting and dismounting using standard automatic or semiautomatic tools. Flanges come in various diameters to ensure better masking. In this range some parts are available with washer or O-ring.

## Applications:

TB range is recommended for protection of hydraulic and steering components tested under pressure.

## Main features:



Ideal solution for internal threads



Suitable for Hydraulics segment



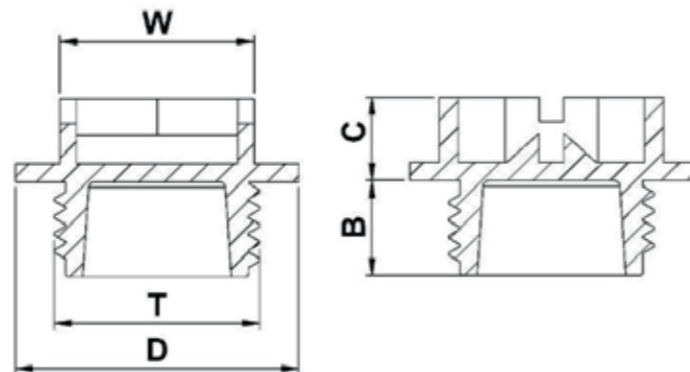
Excellent protection due to the sealing solutions



Made of LDPE, HDPE & PA66



Hexagonal shape for easy mounting & dismounting



## Properties

**Standard colour:** Yellow - Other colors may be available upon request

**Standard material:** HDPE

DBI Ref.	Fits Thread T	B mm	C mm	D mm	W mm	QTY Bag/Box
TB1001A-EA	R1/8"	8,5	7,4	16,6	12,0	250/9000
TB1303A-EA	R1/4"	7,8	7,5	20,5	17,0	250/4500
TB1304A-EA	R1/4"	8,2	7,5	22,4	17,0	250/5500
TB1701A-EA	R3/8"	8,0	7,4	20,5	17,0	250/4000
TB1702A-EA	R3/8"	8,1	7,5	22,8	17,0	250/5500
TB1703A-EA	R3/8"	8,1	7,2	24,4	17,0	250/3000
TB2101A-EA	R1/2"	7,8	7,5	26,4	21,8	250/5000
TB2102A-EA	R1/2"	8,4	7,5	28,2	22,0	250/4000
TB2301A-EA	R5/8"	8,3	7,5	28,6	22,0	250/4000
TB2601A-EA	R3/4"	8,5	7,5	26,5	22,0	250/4500
TB2602A-EA	R3/4"	8,2	7,5	34,4	27,0	250/3000
TB3401A-EA	R1"	8,2	7,5	38,3	31,2	100/2000
TB3403A-EA	R1"	13,2	7,5	42,5	32,0	100/1600
TB4201A-EA	R1 1/4"	13,8	8,2	53,0	36,0	100/1000
TB4203A-EA	R1 1/4"	9,3	8,2	53,0	36,0	100/1200
TB4801A-EA	R1 1/2"	10,9	8,2	53,0	36,0	100/1000
TB6001A-EA	R2"	12,0	11,0	66,0	41,0	50/600
TB7699A-EA	R2 1/2"	-	-	-	-	50/250
TB8801A-EA	R3"	15,5	7,8	93,0	70,0	50/250

**Standard colour:** Yellow - Other colors may be available upon request

**Standard material:** LDPE

DBI Ref.	Fits Thread T	B mm	C mm	D mm	W mm	QTY Bag/Box
TB7699A-AA	R2 1/2"	18,0	16,0	93,5	-	250/1000
TBB1139A-AA	R4"	18,0	16,0	118,5	-	0/100

**Standard colour:** Yellow - Other colors may be available upon request

**Standard material:** PA66

DBI Ref.	Fits Thread T	B mm	C mm	D mm	D2 mm	W mm	QTY Bag/Box
TB1001B-GA	R1/8"	8,7	7,4	16,8	17,1	12,0	250/14000
TB1303B-GA	R1/4"	8,2	7,5	21,0	20,8	17,0	250/9000
TB1303C-GA	R1/4"	8,2	7,5	21,0	#N/D	17,0	250/4500
TB1304B-GA			7,3	22,6	20,8	17,0	250/5500
TB1304D-GA	R1/4"	8,3	7,3	22,6	20,8	17,0	250/5500
TB1304E-GA	R1/4"	8,3	7,3	22,6	18,7	17,0	250/5500
TB1306B-GA	R1/4"	8,1	7,5	23,7	20,8	17,0	250/4000
TB1701B-GA	R3/8"	8,4	7,5	20,8	25,4	17,0	250/7000
TB1703B-GA	R3/8"	8,3	7,3	24,8	25,4	17,0	250/3000
TB1703D-GA	R3/8"	8,3	7,3	24,8	25,4	17,0	250/3000
TB1703E-GA	R3/8"	8,3	7,3	24,8	#N/D	17,0	250/3000
TB1703F-GA	R3/8"	8,3	7,3	24,8	24,1	17,0	250/3000
TB1704B-GA	R3/8"	8,4	7,5	29,0	25,4	22,0	250/5000
TB1705C-GA	R3/8"	14,8	7,5	28,6	#N/D	22,0	4000/4000
TB1707B-GA	R3/8"	8,4	7,5	27,1	24,1	22,0	250/5000
TB2102B-GA	R1/2"	8,1	7,5	28,9	28,4	22,0	250/4000
TB2102D-GA	R1/2"	8,1	7,5	28,9	28,4	22,0	250/4000
TB2103B-GA	R1/2"	8,2	7,5	28,8	28,4	22,0	250/3500
TB2104B-GA	R1/2"	8,2	7,5	32,3	28,4	22,0	250/4000
TB2301C-GA	R5/8"	8,4	7,5	29,0	#N/D	22,0	250/4000
TB2301H-GA	R5/8"	8,4	7,5	29,0	32,7	22,0	250/3000
TB2602B-GA	R3/4"	8,5	7,5	35,0	33,7	27,0	250/2500
TB2602D-GA	R3/4"	8,5	7,5	35,0	33,7	27,0	250/2500
TB2603B-GA	R3/4"	8,5	7,5	35,2	33,7	22,0	250/3500
TB2604B-GA	R3/4"	11,8	7,5	35,0	33,7	27,0	250/2500
TB2607B-GA	R3/4"	11,6	7,5	38,8	37,5	32,0	250/2000
TB3402B-GA	R1"	8,3	7,3	44,2	44,9	32,0	100/1800
TB4801C-GA	R1 1/2"	11,0	8,4	53,6	#N/D	36,0	100/1000