



# Gas Threaded Plugs (TB/TBB)

Threaded plugs that effectively protect internal threads in hydraulic components are particularly appreciated for their tightness and quality. These products are available in various materials and with different sealing solutions, depending on the high-temperature requirements. Hexagonal shape to secure easy mounting and dismounting using standard automatic or semiautomatic tools. Flanges come in various diameters to ensure better masking. In this range some parts are available with washer or O-ring.

## Applications:

TB range is recommended for protection of hydraulic and steering components tested under pressure.

## Main features:



Ideal solution for internal threads



Suitable for Hydraulics segment



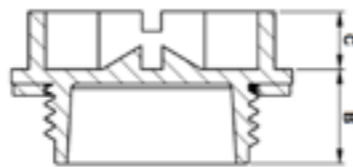
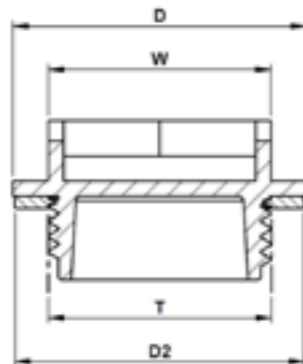
Excellent protection due to the sealing solutions



Made of RECYCLE LDPE, HDPE & PA66



Hexagonal shape for easy mounting & dismounting



## Properties

**Standard colour:** Natural - Other colors may be available upon request

**Standard material:** BIO HDPE

DBI Ref.	Fits Thread T	B mm	C mm	D mm	W mm	QTY Bag/Box	Seal type
TB1303A- EC	R1/4"	7,8	7,5	20,5	17,0	250/4500	

**Standard colour:** Yellow - Other colors may be available upon request

**Standard material:** HDPE

DBI Ref.	Fits Thread T	B mm	C mm	D mm	W mm	QTY Bag/Box	Seal type
TB1001A-EA	R1/8"	8,5	7,4	16,6	12,0	250/9000	
TB1303A-EA	R1/4"	7,8	7,5	20,5	17,0	250/4500	
TB1304A-EA	R1/4"	8,2	7,5	22,4	17,0	250/5500	
TB1701A-EA	R3/8"	8,0	7,4	20,5	17,0	250/4000	
TB1702A-EA	R3/8"	8,1	7,5	22,8	17,0	250/5500	
TB1703A-EA	R3/8"	8,1	7,2	24,4	17,0	250/3000	
TB2101A-EA	R1/2"	7,8	7,5	26,4	21,8	250/5000	
TB2102A-EA	R1/2"	8,4	7,5	28,2	22,0	250/4000	
TB2301A-EA	R5/8"	8,3	7,5	28,6	22,0	250/4000	
TB2601A-EA	R3/4"	8,5	7,5	26,5	22,0	250/4500	
TB2602A-EA	R3/4"	8,2	7,5	34,4	27,0	250/3000	
TB3401A-EA	R1"	8,2	7,5	38,3	31,2	100/2000	
TB3403A-EA	R1"	13,2	7,5	42,5	32,0	100/1600	
TB4201A-EA	R1 1/4"	13,8	8,2	53,0	36,0	100/1000	
TB4203A-EA	R1 1/4"	9,3	8,2	53,0	36,0	100/1200	
TB4801A-EA	R1 1/2"	10,9	8,2	53,0	36,0	100/1000	
TB6001A-EA	R2"	12,0	11,0	66,0	41,0	50/600	
TB7699A-EA	R2 1/2"	-	-	-	-	50/250	
TB8801A-EA	R3"	15,5	7,8	93,0	70,0	50/250	

**Standard colour:** Yellow - Other colors may be available upon request

**Standard material:** RECYCLE LDPE

DBI Ref.	Fits Thread T	B mm	C mm	D mm	W mm	QTY Bag/Box	Seal type
TBB1139A-AA	R4"	18,0	16,0	118,5	-	0/100	

**Standard colour:** Yellow - Other colors may be available upon request

**Standard material:** PA66

DBI Ref.	Fits Thread T	B mm	C mm	D mm	D2 mm	W mm	QTY Bag/Box	Seal type
TB1001A-GA	R1/8"	8,7	7,4	16,8		12,0	250/9000	
TB1001B-GA	R1/8"	8,7	7,4	16,8	17,1	12,0	250/9000	washer
TB1303A-GA	R1/4"	8,2	7,5	21,0	20,8	17,0	250/4500	
TB1303B-GA	R1/4"	8,2	7,5	21,0	20,8	17,0	250/4500	washer
TB1303C-GA	R1/4"	8,2	7,5	21,0	#N/D	17,0	250/4500	O-ring
TB1304A-GA	R1/4"	8,3	7,3	22,6	20,8	17,0	250/5500	
TB1304B-GA	R1/4"	8,3	7,3	22,6	20,8	17,0	250/5500	washer
TB1304D-GA	R1/4"	8,3	7,3	22,6	20,8	17,0	250/5500	washer
TB1304E-GA	R1/4"	8,3	7,3	22,6	18,7	17,0	250/5500	washer
TB1306B-GA	R1/4"	8,1	7,5	23,7	20,8	17,0	250/4000	washer
TB1701A-GA	R3/8"	8,4	7,5	20,8	25,4	17,0	250/7000	
TB1701B-GA	R3/8"	8,4	7,5	20,8	25,4	17,0	250/7000	washer
TB1703A-GA	R3/8"	8,3	7,3	24,8	25,4	17,0	250/3000	
TB1703B-GA	R3/8"	8,3	7,3	24,8	25,4	17,0	250/3000	washer
TB1703F-GA	R3/8"	8,3	7,3	24,8	24,1	17,0	250/3000	washer
TB1704A-GA	R3/8"	8,4	7,5	29,0	25,4	22,0	250/5000	
TB1704B-GA	R3/8"	8,4	7,5	29,0	25,4	22,0	250/5000	washer
TB1705C-GA	R3/8"	14,8	7,5	28,6	#N/D	22,0	4000/4000	O-ring
TB1707A-GA	R3/8"	8,4	7,5	27,1	24,1	22,0	250/5000	
TB1707B-GA	R3/8"	8,4	7,5	27,1	24,1	22,0	250/5000	washer
TB2102A-GA	R1/2"	8,1	7,5	28,9	28,4	22,0	250/4000	
TB2102D-GA	R1/2"	8,1	7,5	28,9	28,4	22,0	250/4000	washer
TB2103A-GA	R1/2"	8,2	7,5	28,8	28,4	22,0	250/3500	
TB2103B-GA	R1/2"	8,2	7,5	28,8	28,4	22,0	250/3500	washer
TB2104A-GA	R1/2"	8,2	7,5	32,3	28,4	22,0	250/4000	
TB2104B-GA	R1/2"	8,2	7,5	32,3	28,4	22,0	250/4000	washer
TB2301A-GA	R5/8"	8,4	7,5	29,0	#N/D	22,0	250/4000	
TB2301H-GA	R5/8"	8,4	7,5	29,0	32,7	22,0	250/3000	washer
TB2602A-GA	R3/4"	8,5	7,5	35,0	33,7	27,0	250/2500	
TB2602B-GA	R3/4"	8,5	7,5	35,0	33,7	27,0	250/2500	washer
TB2602D-GA	R3/4"	8,5	7,5	35,0	33,7	27,0	250/2500	washer
TB2603A-GA	R3/4"	8,5	7,5	35,2	33,7	22,0	250/1750	
TB2603B-GA	R3/4"	8,5	7,5	35,2	33,7	22,0	250/1750	washer
TB2604A-GA	R3/4"	11,8	7,5	35,0	33,7	27,0	250/2500	
TB2604B-GA	R3/4"	11,8	7,5	35,0	33,7	27,0	250/2500	washer
TB2607A-GA	R3/4"	11,6	7,5	38,8	37,5	32,0	250/2000	
TB2607B-GA	R3/4"	11,6	7,5	38,8	37,5	32,0	250/2000	washer
TB3404A-GA	R1"	8,3	9,8	53,0	44,9	36,0	1500/1500	
TB4203A-GA	R1/4"	9,7	8,6	53,6		36,0	100/1200	
TB4801A-GA	R1 1/2"	11,0	8,4	53,6		36,0	100/1000	
TB4802A-GA	R1 1/2"	8,4	8,4	67,0		36,0	800/800	