

UNF Threaded Plugs (TC)

Threaded plugs that effectively protect internal threads in hydraulic components are particularly appreciated for their tightness and quality. These products are available in various materials and with different sealing solutions, depending on the high-temperature requirements. Hexagonal shape to secure easy mounting and dismounting using standard automatic or semiautomatic tools. Flanges come in various diameters to ensure better masking. In this range some parts are available with washer or O-ring.

Applications:

TC range is recommended for protection of hydraulic and steering components tested under pressure.

Main features:



Ideal solution for internal threads



Suitable for Hydraulics segment



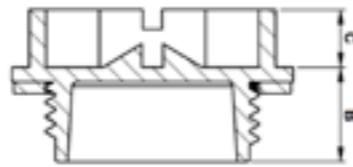
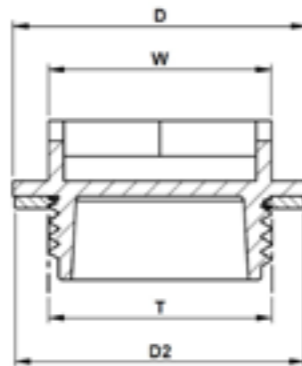
Excellent protection due to the sealing solutions



Made of RECYCLE LDPE, HDPE & PA66



Hexagonal shape for easy mounting & dismounting



Properties

Standard colour: Yellow - Other colors may be available upon request

Standard material: RECYCLE LDPE

DBI Ref.	Fits Thread T	B mm	C mm	D mm	W mm	QTY Bag/Box	Seal type
TC2199A-AA	UNF 13/16 - 16	11,0	6,0	26,0	-	1000/2000	
TC2599A-AA	UNF 1 - 14	14,0	7,0	33,0	-	1000/5000	
TC4899A-AA	UNF 1 7/8 - 12	15,0	12,0	57,0	-	250/1250	

Standard colour: Yellow - Other colors may be available upon request

Standard material: HDPE

DBI Ref.	Fits Thread T	B mm	C mm	D mm	W mm	QTY Bag/Box	Seal type
TC1001A-EA	UNF 3/8 - 24	8,3	7,4	16,6	11,9	250/15000	
TC1101A-EA	UNF 7/16 - 20	8,3	7,5	20,6	17,0	250/10000	
TC1301A-EA	UNF 1/2 - 20	8,3	7,2	20,8	17,0	250/5000	
TC1401A-EA	UNF 9/16 - 18	7,9	7,3	20,5	17,0	250/4500	
TC1902A-EA	UNF 3/4 - 16	10,5	7,5	26,5	22,0	250/5000	
TC2201A-EA	UNF 7/8 - 14	11,8	7,5	26,5	22,0	250/4000	
TC2702A-EA	UNF 1 1/16 - 12	11,5	7,5	35,0	27,0	250/2500	
TC2704A-EA	UNF 1 1/16 - 12	8,5	7,5	38,5	32,0	100/2000	
TC3303A-EA	UNF 1 5/16 - 12	8,4	7,3	44,0	32,0	100/2000	

Standard colour: Yellow - Other colors may be available upon request

Standard material: PA66

DBI Ref.	Fits Thread T	B mm	C mm	D mm	D2 mm	W mm	QTY Bag/Box	Seal type
TC1101B-GA	UNF 7/16 - 20	8,5	7,2	20,9	18,8	17,0	250/3750	washer
TC1102B-GA	UNF 7/16 - 20	8,5	7,5	20,8	18,8	17,0	250/5000	washer
TC1301B-GA	UNF 1/2 - 20	8,4	7,3	21,0	20,8	17,0	250/5000	washer
TC1401B-GA	UNF 9/16 - 18	8,3	7,5	20,9	20,9	17,0	250/4500	washer
TC1402B-GA	UNF 9/16 - 18	8,3	7,5	22,4	20,9	17,0	250/4000	washer
TC1901B-GA	UNF 3/4 - 16	10,8	7,5	22,4	22,5	17,0	250/3000	washer
TC1902B-GA	UNF 3/4 - 16	10,8	7,5	26,8	27,6	22,0	250/3750	washer
TC1903B-GA	UNF 3/4 - 16	10,6	7,5	28,7	27,6	22,0	250/3250	washer
TC2201B-GA	UNF 7/8 - 14	11,8	7,5	27,1	28,6	22,0	250/2000	washer
TC2202B-GA	UNF 7/8 - 14	11,9	7,6	28,6	28,6	22,0	250/3500	washer
TC2203D-GA	UNF 7/8 - 14	11,8	7,4	32,2	32,7	22,0	250/2500	washer
TC2203E-GA	UNF 7/8 - 14	11,8	7,4	32,2	28,4	22,0	250/2500	washer
TC2702B-GA	UNF 1 1/16 - 12	11,8	7,6	35,0	33,7	27,0	100/2500	washer
TC2704B-GA	UNF 1 1/16 - 12	11,7	7,5	38,7	40,0	32,0	250/2000	washer
TC2710B-GA	UNC 1 1/16 - 12	11,8	7,8	35,0	33,7	27,0	100/2100	washer
TC3302B-GA	UNF 1 5/16 - 12	13,6	7,5	44,4	44,9	32,0	100/1500	washer
TC3302D-GA	UNF 1 5/16 - 12	13,6	7,5	44,4	41,7	32,0	100/1500	washer