

# Fast Plugs (BE)

Plugs of this type are perfect solutions to protect rubber hoses. They do not get stuck in the hose, as it is the case with conical plugs, and therefore can be easily and quickly removed afterwards.

## Applications:

BE range is recommended for protection of rubber hoses.

## Main features:



Ideal solution for rubber hoses



Suitable for Pipes segment



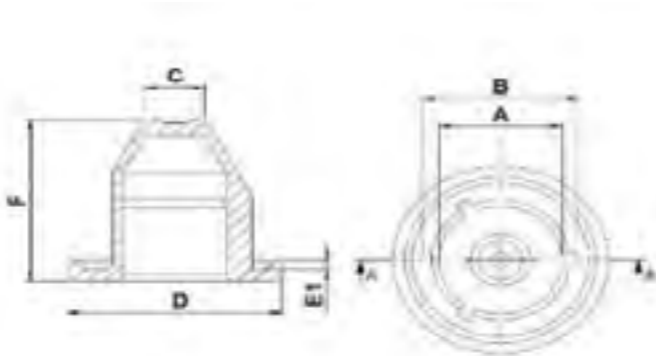
Unique design & flexibility



Made of RECYCLE LDPE & LLDPE



Easy mounting & dismounting



## Properties

Standard colour: Natural  
Standard material: LLDPE

DBI Ref.	A mm	B mm	C mm	D mm	E mm	F mm	QTY Bag/Box
BE0060A-BA	5,0	6,8	3,0	11,0	7,6	10,3	1000/75000
BE0100A-BA	8,4	10,5	4,1	14,6	8,6	12,6	1000/35000
BE0120A-BA	11,0	13,3	7,0	18,0	9,6	13,6	1000/18000

Standard colour: Natural  
Standard material: RECYCLE LDPE

DBI Ref.	A mm	B mm	C mm	D mm	E mm	F mm	QTY Bag/Box
BE0095L-AA	7,5	-	6,8	21,0	6,4	10,3	0/22000
BE0154A-AA	12,0	14,0	6,8	27,5	12,3	15,0	0/10000
BE0165A-AA	13,8	16,5	7,8	21,0	9,9	14,0	1000/12000