

Gas Threaded Plugs (TF)

These threaded plugs are specially designed to protect radiators during powder painting and to prevent the paint from cracking during unscrewing. Furthermore, the plugs are optimal for closing the opening during pressure testing of radiators. Hexagonal shape ensures easy mounting and dismounting using standard tools—automatic or semiautomatic.

Applications:

TF range is recommended for protection of radiators during powder painting and to prevent the paint from cracking during unscrewing.

Main features:



Ideal solution for radiators



Suitable for Hydraulics segment



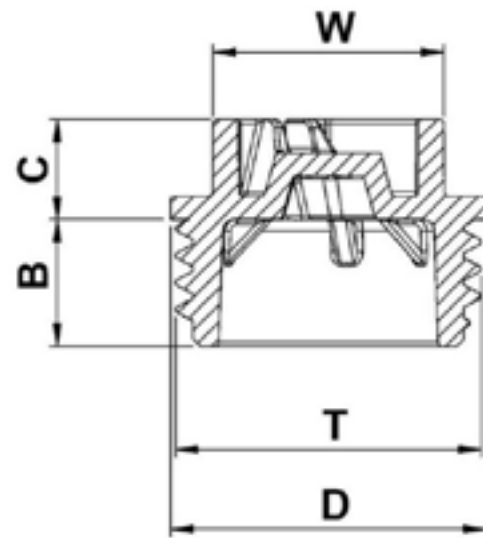
Excellent protection during powder painting



Made of PA66



Easy mounting & dismounting



Properties

Standard colour: Natural
Standard material: PA66

DBI Ref.	Fits Thread T	B mm	C mm	D mm	W mm	QTY Bag/Box
TF2101A-GA	R 1/2"	8,5	6,9	21,2	16,0	0/7500